

CD-3xx-E00-00

Wall Mount CO₂, Humidity and Temperature Transmitter

Product Bulletin

Johnson Controls offers a Carbon Dioxide (CO₂), Relative Humidity (RH%) and Temperature (T) wall mount transmitter for measuring the CO₂ levels and the relevant humidity and temperature within Heating, Ventilation and Air Conditioning (HAVC) applications.

The CD-3xx series incorporates a single beam dual wavelength NDIR CO₂ sensor, which compensates for ageing effects, is highly insensitive to pollution and offers outstanding long term stability.

A multiple point CO₂ and T factory adjustment procedure leads to excellent CO₂ measurement accuracy over the entire T working range.

It is designed to work:

- In stand-alone mode
- As part of any integrated Building Automation System (BAS)

This new CO₂ transmitter is easy to install and requires no maintenance or field calibration.



Features

- **Power Supply 15...35 VDC / 24 VAC**
Flexible application
- **0...10V CO₂ and Relative Humidity Output**
- **0...10V and Pt1000 Temperature Output on the same device**
Suitable for a wider range of applications
- **Models with Display**
Easy-to-read display using international icons. Alternating CO₂ / RH / T
- **Snap-on Enclosure**
Allows a quick and easy mounting of the device and saves installation costs
- **Outstanding long-term stability**
No maintenance is required.
- **CO₂ Factory Calibration Certificate**
Each product is calibrated against factory standards traceable to international standard units

Calibration Certificate

Each sensor is delivered with a Calibration Certificate which certifies that the product is manufactured in compliance with the latest technical standards.

All used materials and components have passed the quality assurance system. Manufacturing, calibration and quality testing are performed according to the Quality Assurance System.

The products are calibrated against factory standards traceable to international standards units administrated by the national metrology institutes like NIST, PTB, NBL, BEV or other recognized national standard laboratories.

For engineering samples and repair parts extent of certification is restricted to test result only.



WERKSZEUGNIS NACH DIN EN 10204 - 2.2

Test report according to DIN EN 10204 - 2.2 Relevé de contrôle selon DIN EN 10204 - 2.2

Zertifikat Nr. / Certificate No / Certificat N°.: C77017763

Gegenstand / Object / Objet: CD-311-E00-00

Type / Model / Modèle: CO2/temperature/humidity transmitter

Serien Nummer / Serial Number / Numéro de série: 152115000004DA

Hiermit bestätigen wir, dass die angeführten Ahlborn Erzeugnisse unter Verwendung einwandfreier Werkstoffe nach dem Stand der Technik gefertigt wurden. Ausführung und Anzeigegenauigkeit wurden im Rahmen der Qualitätssicherungsmaßnahmen des Herstellers überwacht und sind rückführbar auf internationale Standards des Bundesamtes für Eich- und Vermessungswesen (BEV) Österreich. Bei Entwicklungsmustern und Reparaturteilen bezieht sich die Bescheinigung ausschließlich auf das Prüfergebnis.

We herewith certify that above listed Ahlborn products are manufactured in compliance with the latest technical standards. All used materials and components have passed the quality assurance system. Manufacturing, calibration and quality testing are performed according to the Quality Assurance System of the manufacturer and traceable to the international standards of the 'Bundesamt für Eich- und Vermessungswesen' (BEV) Austria. For engineering samples and repair parts extent of certification is restricted to test results only.

Nous certifions par la présente que les produits Ahlborn ci-dessus mentionnés sont fabriqués selon les règles de l'art avec l'utilisation de matériaux de qualité. La fabrication, la calibration et le contrôle qualité des produits sont réalisés conformément au système d'assurance qualité du fabricant dont la traçabilité est rattachée au 'Bundesamt für Eich- und Vermessungswesen' (BEV) Autriche. Pour les échantillons ou prototypes et les pièces de réparation, la validité du certificat est restreinte aux seuls résultats de tests.

Rückführbare Standards / Traceable Standards / Etalons rattachés

CO2 Referenz / CO2 reference / CO2 de référence	Test gas CL.1 DIN EN ISO 6141
---	-------------------------------

Prüfergebnis / Test result / Résultat de mesure

	Oppm	1000ppm
Justiert / Adjusted / Ajusté	✓	✓

Die angeführten Daten sind gültig, unter den angegebenen Bedingungen, zum Zeitpunkt der Messung und nehmen Bezug auf die angegebenen Standards und verwendeten Messeinrichtungen.

The calibrated values are valid under above conditions only at the time of measurement and are referenced to marked reference and working standards.

Les valeurs de calibration sont valides selon les conditions spécifiées ci-dessus au moment de la mesure et font référence aux spécifications et aux systèmes de mesure utilisés.

Ort, Datum / Place, Date / Lieu, date

Techniker / Technician / Technicien

Geprüft / Supervised / Vérification

Engerwitzdorf 19.05.2015

Installation

The installation of electrical wiring must conform to local codes and should be carried out by authorized personnel only. Users should ensure that all Johnson Controls products are used safely and without risk to health or property.

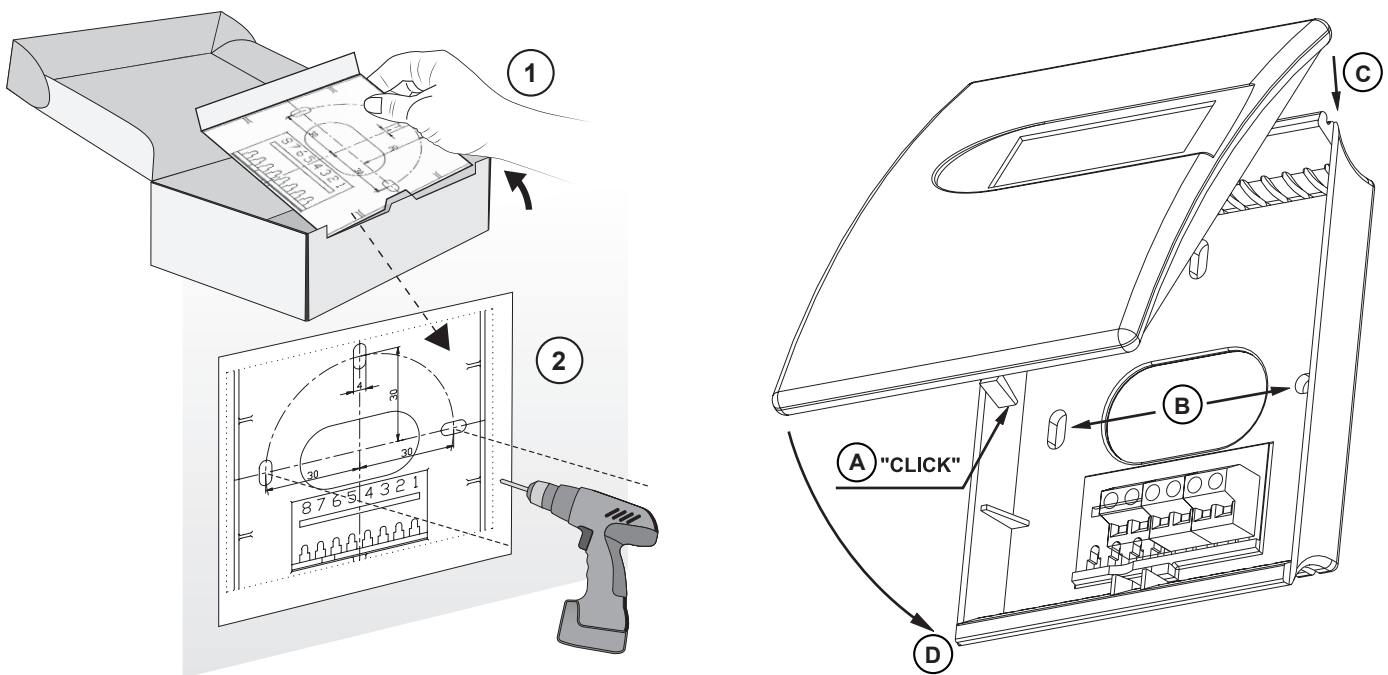
The CD-3xx series CO₂, Relative Humidity and Temperature sensors are intended to provide input to equipment under normal operating conditions. Where failure or malfunction of an CD-3xx series sensors could lead to an abnormal operating condition that could cause personal injury or damage to the equipment or other property, other devices (limit or safety controls) or systems (alarm or supervisory) intended to warn of, or protect against, failure or malfunction of the CD-3xx sensors must be incorporated into and maintained as part of the control system.

Mounting

Opening the housing: Press pin **A** until cover can be opened.

Installation: Mount housing on wall with screws through therefore designated holes **B**.

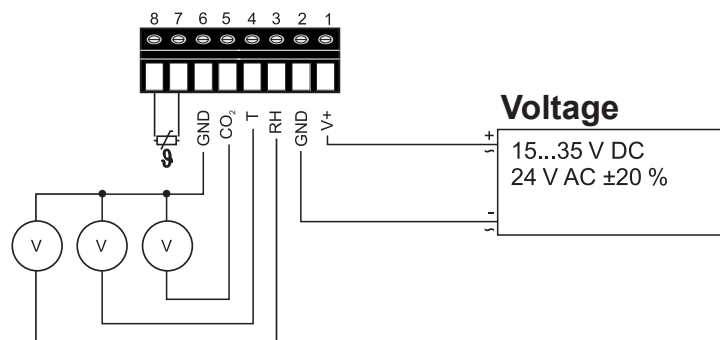
Closing the housing: Set cover into flute **C** and move it to direction **D** until pin **A** snaps in.

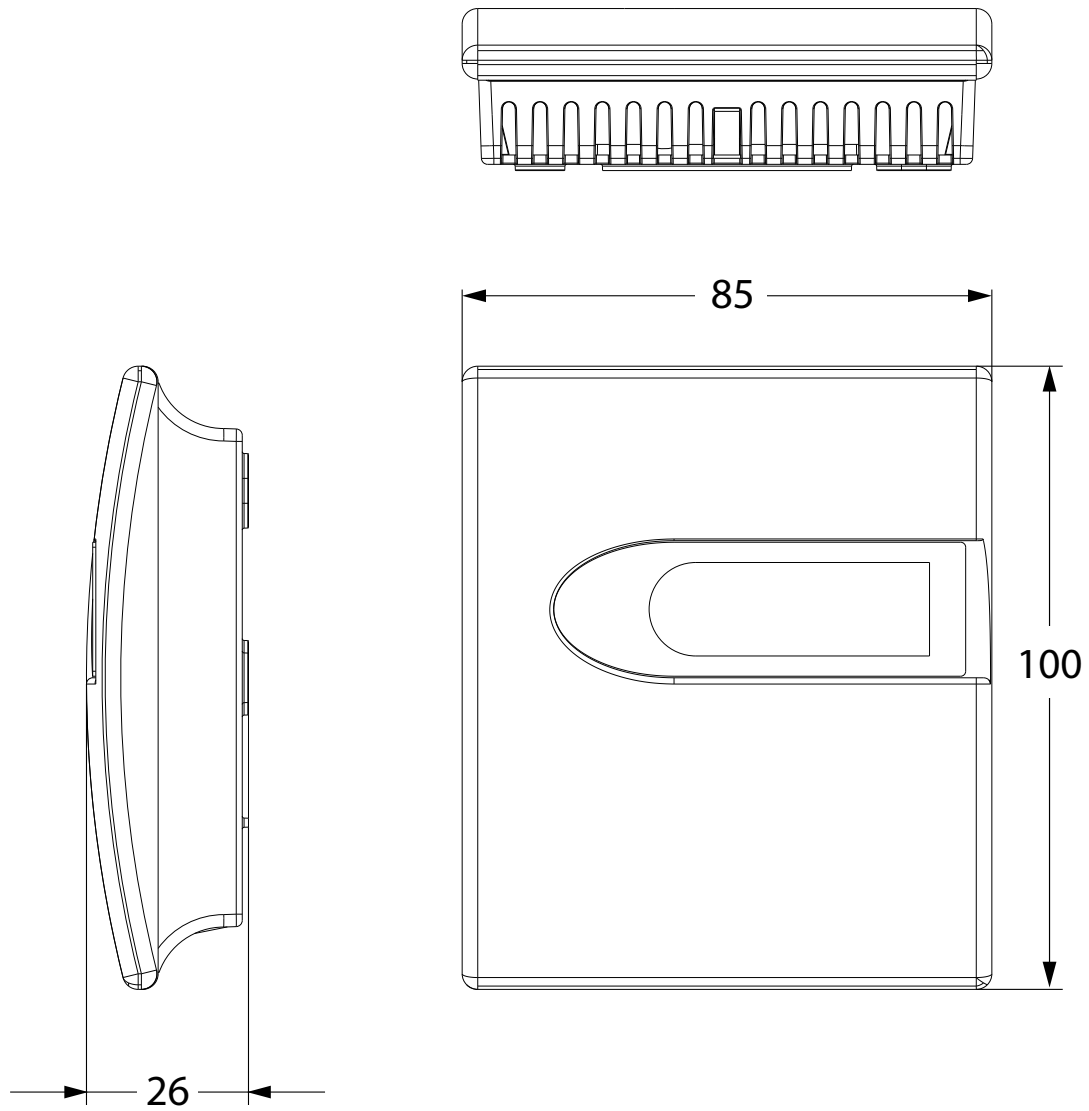


Wiring

For wiring follow the instructions below:

- All wiring must be in accordance with local regulations and national rules.
- Do not attempt field repairs. If the transmitter is not operating properly, even though it is wired correctly, it should be replaced.



Dimensions (in mm)

Ordering Codes

Item Codes	CO ₂ Output	CO ₂ Working Range	RH% Output	RH% Working Range	Temperature Output	Temperature Working Range	Display	Calibration Certificate
CD-310-E00-00	0...10V	0...2000 ppm	0...10V	10...90% RH	0...10V and Pt 1000	0...50 °C (active model)	---	●
CD-311-E00-00							●	●

Technical Specification

Measuring values CO₂

Measurement Principle Dual Wavelength Non-Dispersive Infrared Technology (NDIR)

Working Range 0...2000

Accuracy at 25°C and 1013 mbar 0...2000 ppm < ± (50 ppm + 2% of measuring value)

Response Time T⁶³ typ. 110 s

Temperature Dependence typ. 1 ppm CO₂ / °C (-20...45 °C) (-4...113 °F)

Temperature

Working Range 0...10V Output 0...50 °C

0...10V Accuracy at 20 °C
(UV = 24 V DC and RL = 250) ±0.3 °C voltage output

Pt1000 Accuracy EN60751 Class A, ±(0.15 + 0.002* | T °C |)

Relative Humidity

Working Range 10...90% RH

Accuracy at 20°C ±3% RH (30...70% RH) ±5% RH (10...90% RH)

Outputs

0...10V within -1 mA < IL 1 mA
 CO₂ 0...10V @ 0...2000 PPM
 RH% 0...10V @ 0...100 RH%
 T 0...10V @ 0...50°C
 Pt1000 DIN A 1000 ohm 0°C per EN60751

General

Supply Voltage 24 VAC ±20% 15-35 V DC

Current Consumption Analogue Typ. 14 mA + output current; peak 0.3 A for 0.3 s

Housing (polycarbonate) EU Version: UL94HB approved

Protection Class IP30

Display LC display: alternating CO₂ / RH / T

Electrical Connection Screw terminals max. 1.5 mm² (AWG16)

Electromagnetic Compatibility EN61326-1 EN61326-2-3
FCC Part 15 ICES-003 ClassB

Operating / Storage / Ranges 0...90% RH (non condensing) / -20...60°C

CE Compliance

Johnson Controls declares that these products are in compliance with the essential requirements and other relevant provisions of the EMC Directive 2014/30/EU.

The performance specifications are nominal and conform to acceptable industry standards. For application at conditions beyond these specifications, consult the local Johnson Controls office. Johnson Controls shall not be liable for damages resulting from misapplication or misuse of its products.