

Plant Temperature

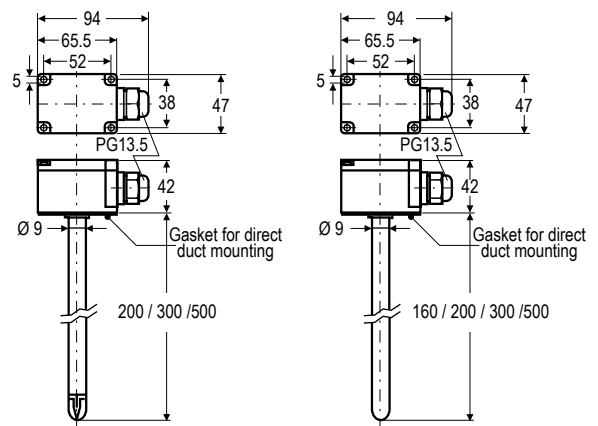
TE-9100 and TS-9100

The TE-9100 and TS-9100 series temperature sensors and transducers provide a passive or active signal that corresponds with the air or water temperature in heating, ventilating and air conditioning applications.

They provide either a 0...10 VDC signal directly proportional to the sensed temperature, or a passive resistive NTC, Pt1000 or Pt100 signal.

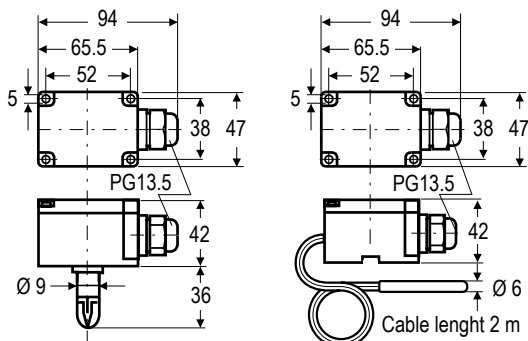
Features

- Wide range of enclosures and signal outputs
- For immersion applications, well can be mounted before rod sensor is mounted
- Various lengths of tubes and wells for duct and immersion applications
- IP54 enclosure



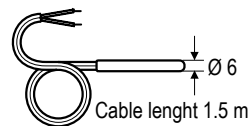
Rod fast response sensor

Rod sensor

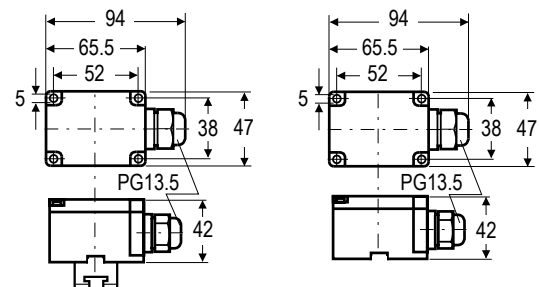


Ceiling sensor
TS-910x-870x

Remote sensor
TS-9101-810x



Cable sensor
TE-910x-850x



Strap-on sensor
TS-910x-860x

Outdoor Sensor
TS-910x-840x

Dimensions in mm

Plant Temperature
TE-9100 and TS-9100

Ordering Codes	Output Signal	Sensor Type	Rod Length (in mm)	Temperature Range
TS-9101-8101	0...10 V	Remote element	---	-40...50 °C
TS-9101-8103				0...40 °C
TS-9101-8104				0...100 °C
TS-9101-8212		Rod *	160	-20...40 °C
TS-9101-8213				0...40 °C
TS-9101-8214				0...100 °C
TS-9101-8222			-20...40 °C	
TS-9101-8223			0...40 °C	
TS-9101-8224			0...100 °C	
TS-9101-8225			0...150 °C	
TS-9101-8226			20...120 °C	
TS-9101-8227			50...150 °C	
TS-9101-8232			-20...40 °C	
TS-9101-8233			0...40 °C	
TS-9101-8234			0...100 °C	
TS-9101-8235			0...150 °C	
TS-9101-8252			-20...40 °C	
TS-9101-8253			0...40 °C	
TS-9101-8254		0...100 °C		
TS-9101-8312		Rod fast response	160	-20...40 °C
TS-9101-8313				0...40 °C
TS-9101-8314				0...100 °C
TS-9101-8322			-20...40 °C	
TS-9101-8323			0...40 °C	
TS-9101-8324			0...100 °C	
TS-9101-8325			0...150 °C	
TS-9101-8326			20...120 °C	
TS-9101-8327			50...150 °C	
TS-9101-8332			-20...40 °C	
TS-9101-8333			0...40 °C	
TS-9101-8334			0...100 °C	
TS-9101-8335			0...150 °C	
TS-9101-8352			-20...40 °C	
TS-9101-8353			0...40 °C	
TS-9101-8354		0...100 °C		
TS-9101-8401		Outdoor	---	-40...50 °C
TS-9101-8402				-20...40 °C
TS-9101-8602		Strap-on	---	-20...40 °C
TS-9101-8604				0...100 °C
TS-9101-8703		Ceiling	---	0...40 °C

HVAC CONTROL PRODUCTS Sensors

Plant Temperature TE-9100 and TS-9100

Ordering Codes	Output Signal	Sensor Type	Rod Length (in mm)	Temperature Range		
TE-9100-8501	NTC K2	Cable Sensor		-20...40 °C		
TS-9103-8210		Rod *	160	0...40 °C		
TS-9103-8220			200			
TS-9103-8230			300			
TS-9103-8250			500			
TS-9103-8310		Rod fast response	160			
TS-9103-8320			200			
TS-9103-8330			300			
TS-9103-8350			500			
TS-9103-8400		Outdoor	---			
TS-9103-8600		Strap-on	---			
TS-9103-8700		Ceiling	---			
TE-9100-8502		NTC K10	Cable Sensor		-20...40 °C	
TS-9104-8210			Rod *		160	0...120 °C
TS-9104-8220	200					
TS-9104-8230	300					
TS-9104-8250	500					
TS-9104-8310	Rod fast response		160			
TS-9104-8320			200			
TS-9104-8330			300			
TS-9104-8350			500			
TS-9104-8400	Outdoor		---			
TS-9104-8600	Strap-on		---			
TS-9104-8700	Ceiling		---			
TS-9105-8220	Pt100		Rod *	200	-20...150 °C	
TS-9105-8230				300		
TS-9105-8250		500				
TS-9105-8400		Outdoor	-40...50 °C			
TS-9105-8600		Strap-on	-20...100 °C			
TS-9105-8700	Ceiling	0...40 °C				
TS-9106-8210	Pt1000	Rod *	160	-20...150 °C		
TS-9106-8220			200			
TS-9106-8230			300			
TS-9106-8250			500			
TS-9106-8310		Rod fast response	160			
TS-9106-8320			200			
TS-9106-8330			300			
TS-9106-8350			500			
TS-9106-8400		Outdoor	---		-40...50 °C	
TS-9106-8600		Strap-on	---		-20...100 °C	
TS-9106-8700		Ceiling	---		0...40 °C	

Note * Rod sensor can either be for:
 - Duct applications (alone)
 - Immersions applications (with well)

Plant Temperature
TE-9100 and TS-9100
Accessories (order separately)

Ordering Codes	Description
TS-9100-8950	Duct mounting flange

Ordering Codes	Description	Material	Thread	Lenght (in mm)	External Diam. (in mm)	
TS-9100-8905	Immersion well	Copper	R1/2"	50	9	
TS-9100-8901				120	12	
TS-9100-8907				150		
TS-9100-8902				200		
TS-9100-8903				260		
TS-9100-8925		Stainless steel		R1/2"		50
TS-9100-8921					120	12
TS-9100-8927					150	
TS-9100-8922					200	
TS-9100-8923					260	
TS-9100-8915			Stainless steel		G1/2"	50
TS-9100-8911		120		12		
TS-9100-8917		150				
TS-9100-8912		200				
TS-9100-8913		260				