



Features & Options

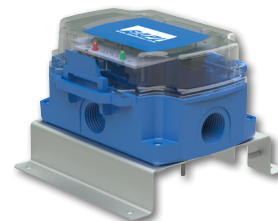
- Detection Within 5 Seconds with Local LED Alarm Indication
- 5 Amp or 0.5 Amp Relays @ 30VAC/DC
- One Piece, Rope or Remote Sensor Design
- NEMA 4 Enclosure

The Water Leak Detector is designed to sense the presence of water and alert a central monitoring system of the potentially destructive situation. Upon water detection, the alarm relays change state, and a local red LED illuminates. The transmitter can be set for latching or non-latching alarm, and normally energized or normally de-energized operation.

Detector with Remote Sensor



Detector with Attached Sensor



Detector with Rope Sensor



Specifications

Power: 24VAC $\pm 10\%$ (If VDC power is required, call your BAPI representative.)

5 Amp Relays: 4 Watt/ 4 VA max

0.5 Amp Relays: 2 Watt/ 2 VA max (not intended to switch a load)

Wiring: Flex Connector or Liquid Tight Fitting

Relays.....Up to 6 wires for Alarm Contacts

Transmitter2 wires for Power

Sensor:

AttachedSS probe w/ adjustable depth screw from 0.063 to 0.84"

Remote Sensor w/ adjustable depth from 0.062 to 0.5", Mounts to pan with industrial adhesive tape or 0.172" mounting holes

Rope Long Line Wire Sensor, Plenum Rated.
Detects 1/8" of water over the full length.

Alarm Contacts :

LDT1:..... One SPST, 0.5A relay output, 10W max.

LDT2:..... Two SPST, 0.5A relay outputs, 10W max.

LDT3: One SPDT, 5A relay output

LDT4:..... Two SPDT, 5A relay outputs

Indication: 1 Green Power LED, 1 Red Alarm LED

Reset Action: If latching, local pushbutton or power interrupt

Termination: Terminal Strip, 12 to 24 AWG

Latching and Supervised Relay Options:

Latching..... Relay stays in alarm until manually reset or power is cycled

Non-Latching.. Relay automatically resets after water is removed (default)

Unsupervised.. Relay energizes on water detection

Supervised..... Relay de-energizes on water detection (default)

Note: Relay de-energizes on loss of power

Enclosure Ratings:

Remote Sensor.. Submersible, with FEP plenum-rated, waterproof cable

Detector..... BAPI-Box, NEMA 4 Polycarbonate Enclosure

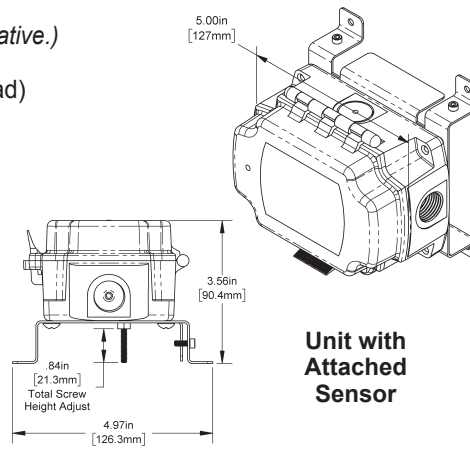
Ambient:

Remote Sensor..... -40 to 185°F (-40 to 85°C), 0 to 100%RH, Condensing

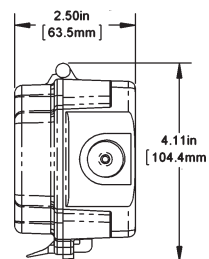
Rope Sensor..... 32 to 167°F (0 to 75°C), 0 to 95%RH, Non-condensing

Detector (BB)..... -40 to 185°F (-40 to 85°C), 0 to 95%RH, Non-condensing

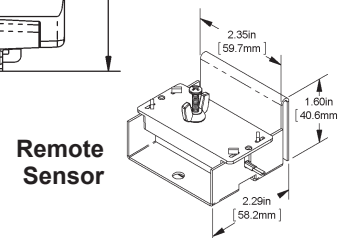
Agency: RoHS, UL94V-0 , UV-rated in Enclosure



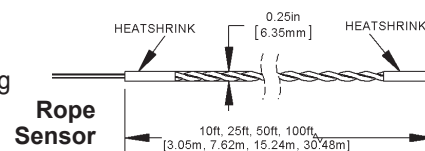
Unit with Attached Sensor



Unit with Remote or Rope Sensor



Remote Sensor



Rope Sensor





Water Leak Detector Option Selection Guide

BA/ (#1) - (#2) - (#3)

#1: Leak Detector Transmitter (required)

- LDT1..... Water leak detector transmitter w/ one 0.5A SPST contacts
- LDT2..... Water leak detector transmitter w/ two 0.5A SPST contacts
- LDT3..... Water leak detector transmitter w/ one SPDT 5A contacts
- LDT4..... Water leak detector transmitter w/ two SPDT 5A contacts

#2: Probe Sensor (required)

- PS..... Probe Sensor built into the enclosure
- RS5..... Remote Spot Sensor with 5 foot FEP cable
- RS10..... Remote Spot Sensor with 10 foot FEP cable
- RS25..... Remote Spot Sensor with 25 foot FEP cable
- RR10 Remote Rope Sensor with 10 foot Plenum Rated Sensor Cable
- RR25 Remote Rope Sensor with 25 foot Plenum Rated Sensor Cable
- RR50 Remote Rope Sensor with 50 foot Plenum Rated Sensor Cable
- RR100 Remote Rope Sensor with 100 foot Plenum Rated Sensor Cable

#3: Enclosure and Fitting Options (required)

- BB..... BAPI-Box enclosure, IP66 rated
- BB-LTF BAPI-Box enclosure, IP66 rated, w/ Liquid tight fitting
- BB-GFF BAPI-Box enclosure, IP66 rated, w/ flex connector

Submittal sheets without List Prices can be downloaded from our website at www.bapihvac.com

Example Number: BA/ (**LDT1**) - (**RR10**) - (**BB**)

Actual Number (with parenthesis removed): BA/LDT1-RR10-BB

Description: Detector with one 0.5A contact, 10' Remote Rope Sensor and BAPI-Box Enclosure

Your Number: BA/

Replacement Remote Spot or Remote Rope Sensors

For use as updates to existing systems or built-in (-PS) probe Sensors

Sensor Type

- BA/RS5..... Remote Spot Water Sensor with 5 foot FEP cable
- BA/RS10..... Remote Spot Water Sensor with 10 foot FEP cable
- BA/RS25..... Remote Spot Water Sensor with 25 foot FEP cable
- BA/RR10..... Remote Rope Sensor with 10 foot Plenum Rated Sensor Cable
- BA/RR25..... Remote Rope Sensor with 25 foot Plenum Rated Sensor Cable
- BA/RR50..... Remote Rope Sensor with 50 foot Plenum Rated Sensor Cable
- BA/RR100..... Remote Rope Sensor with 100 foot Plenum Rated Sensor Cable

Your Number: BA/

