

SENSORS

ROOM HUMIDITY

HT-1000

WALL MOUNT

The HT-1000 series room humidity sensors provide active sensing of relative humidity and on specific models, also active/passive sensing of temperature in HVAC applications.

It features a polymer capacitance humidity sensing element and provides within either $\pm 2\%$ or $\pm 4\%$ accuracy a voltage output signal proportional 0 to 100% relative humidity.

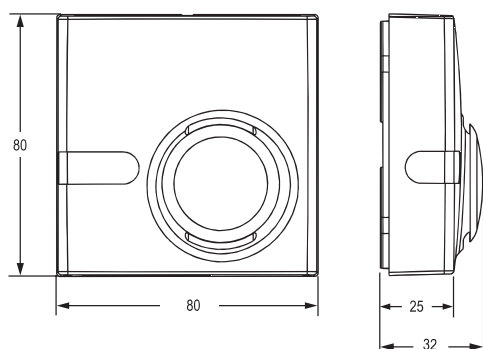
The HT-1000 series room humidity sensors are designed for use with any type of Johnson Controls or third party HVAC controllers.



FEATURES

- Supply voltage: 15 VAC / 24 VAC
- Output RH%: 0...10 VDC
- Output Temperature: 0...10 VDC, NTC K2, Pt1000
- Protection class: IP30

DIMENSIONS (in mm)





HT-1000 ROOM HUMIDITY

ORDERING INFORMATION

CODES	HUMIDITY RANGE	HUMIDITY OUTPUT	HUMIDITY ACCURACY	TEMPERATURE RANGE	TEMPERATURE OUTPUT	SUPPLY VOLTAGE
HT-1201-UR	0...100% RH	0...10 VDC	±2%	0 to 40°C	0...10 VDC	12 to 30 VDC 24 VAC ±15%
HT-1300-UR			---	---		
HT-1301-UR			±4%	0 to 40°C	0...10 VDC	
HT-1303-UR				NTC K2		
HT-1306-UR				0 to 60°C	Pt1000	