

SENSORS

PLANT HUMIDITY

HT-1300

DUCT MOUNT

Specially designed for HVAC, the HT-1300 duct mount humidity sensor is a cost effective, highly accurate and reliable solution for measuring relative air humidity and temperature.

The enclosure minimizes installation cost and provides outstanding protection against contamination and condensation, thus ensuring flawless operation.

The HT-130x-UD1 employs the new humidity/temperature sensor with excellent long-term stability and resistance to pollutants. Long term performance is granted by the PTFE membrane fitted to the standard protection cap, suitable for most common HVAC applications.

The standard protection cap can be replaced with a series of alternative protection caps specially designed for harsh environments.

FEATURES

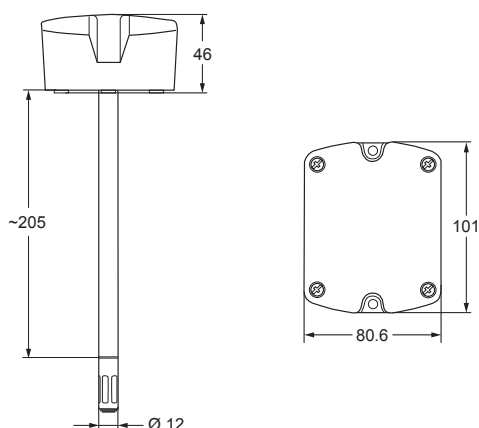
- Power supply 15...35 VDC / 24 VAC \pm 20%
- Humidity range 0...100%
- Humidity output 0...10 VDC
- Humidity accuracy 2,5% from 10 to 95% RH
- Temperature outputs 0...10 VDC or passive
- Duct probes length 200 mm
- Protection caps for harsh environment application
- Protection class: IP65
- Inspection Certificate according EN 10204:2004





HT-1300 PLANT HUMIDITY

DIMENSIONS (in mm)



PROTECTION CAPS FOR HARSH ENVIROMENT

ORDERING INFORMATION

HT-1300 PLANT HUMIDITY SENSORS

CODES	HUMIDITY WORKING RANGE	HUMIDITY OUTPUT	HUMIDITY ACCURACY	TEMPERATURE WORKING RANGE	TEMPERATURE OUTPUT	CALIBRATION CERTIFICATE	SUPPLY VOLTAGE
HT-1301-UD1	10...95 %	0...10 VDC	2,5 %	-15 to 60°C	0...10 VDC	■	15 to 35 VDC or 24 VAC ±20%
HT-1302-UD1				0 to 40°C			
HT-1303-UD1				-15 to 60°C	NTC 2k2		
HT-1305-UD1					Pt100		
HT-1306-UD1					Pt1000		

FILTER CAPS FOR HARSH ENVIRONMENTS - ACCESSORIES

CODES	DESCRIPTION	APPLICATION
HT-1300-CAP-103	Stainless steel sintered filter cap	For industrial, agriculture, barns
HT-1300-CAP-105	PTFE sintered filter cap	For chemical and very polluted environment
HT-1300-CAP-106	Polycarbonate body with stainless steel wire mesh filter cap	For dryers and humidifiers
HT-1300-CAP-115	Catalytic filter in PTFE filter caps	For pharm, biotech, high oxygen concentration, sterilization with H2O2

STANDARD FILTER CAP - ACCESSORY

CODE	DESCRIPTION
HT-1300-UD1-KIT	Kit of 10 pcs: Mounting flange, cable gland, screws/fishers, gasket and standard protection Cap, PTFE membrane for dusty and building automation applications.