

Expansion Module

MUX-D400-TRACK

Description

The MUX-D400-TRACK input multiplexer expands the digital input capability of standard Delta Controls controller products. The MUX-D400-TRACK allows up to 4 dry contact digital inputs to be read with a single 10k Ω analog input. The analog input is decoded into 4 binary variables through simple software manipulation.



Application

The MUX-D400-TRACK is suitable for monitoring multiple dry contact inputs, such as pump and fan status indicators.

Features

- ▶ Uses a single controller analog input to monitor up to 4 digital inputs
- ▶ Protects attached controllers from damage caused by overvoltage and transient events
- ▶ Mounts on 4 standoff posts or clips onto a snap track

Specifications

Terminals

Removable screw-type terminal connectors

Wiring

Class 2

Ambient

-40° to 65°C (-40° to 129°F)
10-95% RH (non-condensing)

Mounting

Use 4 standoffs (not included) or optional snap track

Dimensions

PCB: 8.25 x 3.75 cm (3.25 x 1.18 in.)

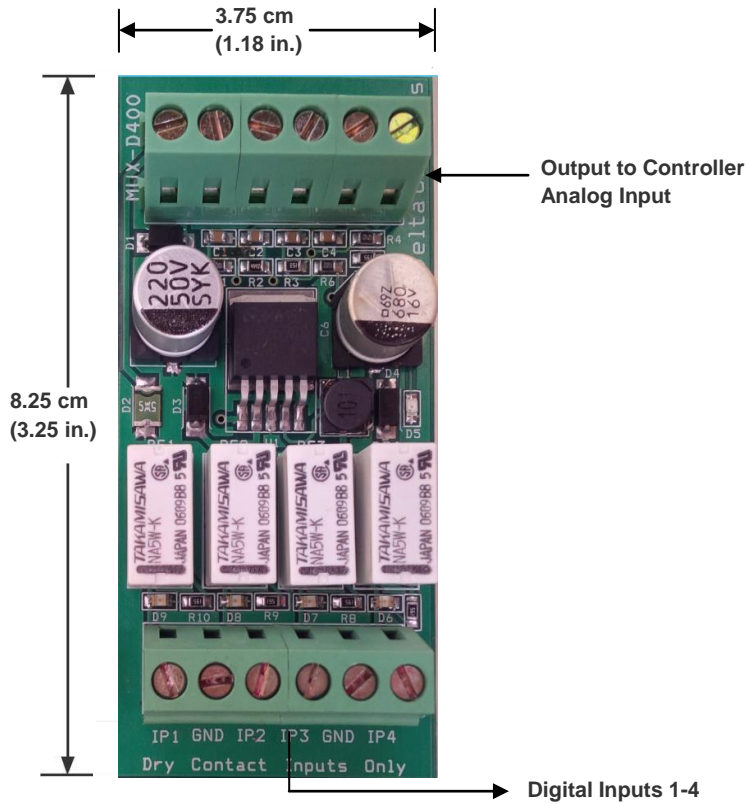
Weight

20 g (0.05 lb.)

Published January 6, 2014

Expansion Module

MUX-D400-TRACK: Board Layout Diagram



Ordering

Order the MUX-D400-TRACK according to the following product numbers:

MUX-D400-TRACK	4 digital inputs to 1 analog input multiplexer, bare PCB with mounting holes. Order in multiples of 25.

Subject to change without notice.