



## PRESSURE CONTROLS

### ADJUSTABLE DIFFERENTIAL PRESSURE SWITCH

# P233

#### SENSITIVE DIFFERENTIAL

This switch senses a change in the (differential) pressure as the airflow changes. The (differential) pressure is applied to the two sides of a diaphragm in the control.

The spring-loaded diaphragm moves and actuates the switch.

The series P233A/F can also be used to detect small positive gauge pressure or to detect a vacuum.



## FEATURES

- One switch to measure relative pressure, vacuum or differential pressure
- Various accessories available
- Compact and durable construction
- Easy mounting and wiring, various mounting possibilities
- Standard PG 11 nipple and optional DIN 43650 connector
- Accurate and stable switch point
- SPDT contact standard

## APPLICATION

- This (differential) pressure switch is used to sense flow of air, single or differential air pressure

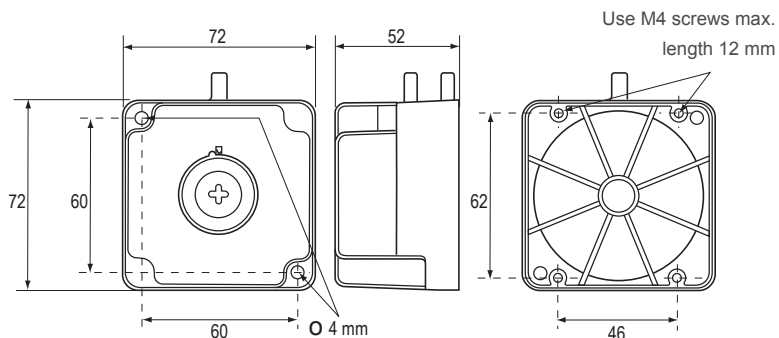
Typical applications include:

- Detect clogged filter
- Detect frost or ice build-up on air conditioning coils
- Air proving in heating or ventilation ducts
- Maximum airflow controller for variable air volume system
- Detect blocked flue or vent
- Monitor fan operation

P233 - ADJUSTABLE DIFFERENTIAL PRESSURE SWITCH



**DIMENSIONS (in mm)**



**ORDERING INFORMATION**

CODES	SWITCH POINT RANGE (mbar)	SWITCHING DIFFERENTIAL (mbar) **	CONTACTS	PACK	ADDITIONAL FEATURES		
P233F-P3-AAC	0,3 fixed	< 0.3	SPDT contacts, Contact rating 5(2) A 250 VAC	Ind.	---		
P233A-4-AAC	0,5 to 4			Bulk	---		
P233A-4-AAD *				Ind.	GMT008N600R + BKT024N002R		
P233A-4-AHC				Bulk	Scale in Pa		
P233A-4-PAD *				50 to 400 Pa	Ind.	---	
P233A-4-PAC	Scale in Pa, GMT008N600R + BKT024N002R						
P233A-4-PHC	Scale in Pa, FTG015N602R (2x) + 2 m tube 4/7 mm						
P233A-4-PKC	FTG015N602R (2x) + 2 m tube 4/7 mm						
P233A-4-AKC	0,5 to 4			< 0.5	Bulk	---	
P233A-6-AAC	0,5 to 6					Ind.	GMT008N600R + BKT024N002R
P233A-6-AAD *	1,4 to 10						---
P233A-10-AAC							Scale in Pa, FTG015N602R (2x) + 2 m tube 4/7 mm
P233A-10-AHC	140 to 1000 Pa			Bulk	---		
P233A-10-PAC					FTG015N602R (2x) + 2 m tube 4/7 mm		
P233A-10-PKC	1,4 to 10	< 1	Ind.	---			
P233A-10-AAD *				FTG015N602R (2x) + 2 m tube 4/7 mm			
P233A-10-AKC	6 to 50	< 0,5	Ind.	---			
P233A-50-AAC				Scale in Pa, GMT008N600R + BKT024N002R			
P233A-10-PHC	140 to 1000 Pa						

**Notes**

\* Quantity orders only

\*\* Switching differential is maximum value mid-range