

T7200 LCD Thermostat

Product Bulletin

T7200-TB20-9J00
 T7200-TB20-9J0B
 T7200-TF20-9JS0
 T7200-TB21-9JS0

Issued June 05, 2018

The T7200 series LCD thermostats are designed to control heating and cooling through air conditioning unit in commercial and residential application.

T7200 features with large LCD screen that displays the status of work mode (cooling, heating, air venting, floor heating), fan speed, indoor temperature and set point etc.



Table 1: Features and Benefits

Features	Benefits
Large backlit LCD	LCD is larger than 40% of front area, provide real time status of the environment with intuitive and clear user interface
New installation method	New method without opening T7200 cover during installation, avoids the risk of components damage by screwdriver
EEPROM storage of data	Thermostat retains the last events and parameter settings after power loss.
Push button for user operation	User can change working mode, temperature set point and fan speed via push buttons, easy for operation

IMPORTANT: The T7200 series LCD thermostat is intended to provide and input to equipment under nor-mal operating conditions. Where failure or malfunction of the thermostat could lead to personal injury or property damage to the controlled equipment or other property, additional precautions must be designed into the control system. Incorporate and maintain other devices, such as supervisory or alarm systems or safety or limit controls, intended to warn of or protect against failure or malfunction of the thermostat.

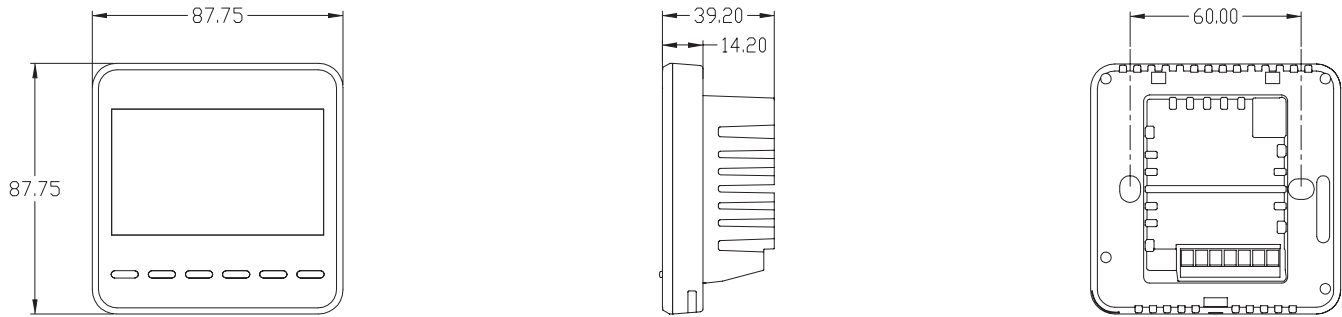
Table 2: T7200 series thermostat product code number and corresponding application

Product code number	Application	Valve control	Others control	Fan control	Package	
T7200-TB20-9J00	2-pipe FCU,relay valve	"1 x relay (SPST) output, 2.2A (I _a), cosΦ 0.98; 3.6A (I _b), cosΦ 0.98"	N/A	"3 x relay (SPST) output, 2.2A (I _a), cosΦ 0.98; 3.6A (I _b), cosΦ 0.98"	Individual	
	Floor heating	N/A	"Floor heating 1 x relay (SPST) output, 2.2A (I _a), cosΦ 0.98; 3.6A (I _b), cosΦ 0.98"	N/A		
T7200-TB20-9J0B	2-pipe FCU,relay valve	"1 x relay (SPST) output, 2.2A (I _a), cosΦ 0.98; 3.6A (I _b), cosΦ 0.98"	N/A	"3 x relay (SPST) output, 2.2A (I _a), cosΦ 0.98; 3.6A (I _b), cosΦ 0.98"	Bulk (MOQ 36pcs)	
	Floor heating	N/A	"Floor heating 1 x relay (SPST) output, 2.2A (I _a), cosΦ 0.98; 3.6A (I _b), cosΦ 0.98"	N/A		
T7200-TF20-9JS0	2-pipe FCU,relay valve	"1 x relay (SPST) output, 2.2A (I _a), cosΦ 0.98; 3.6A (I _b), cosΦ 0.98"	N/A	3 x relay (SPST) output, 2.2A (I _a), cosΦ 0.98; 3.6A (I _b), cosΦ 0.98		
	4-pipe FCU,relay valve	"2 x relay (SPST) output, 2.2A (I _a), cosΦ 0.98; 3.6A (I _b), cosΦ 0.98"	N/A			
	2-pipe FCU,3-wire relay valve	"2 x relay (SPST) output, 2.2A (I _a), cosΦ 0.98; 3.6A (I _b), cosΦ 0.98"	N/A			
	2-pipe FCU with TIO2/ESP,relay valve	"1 x relay (SPST) output, 2.2A (I _a), cosΦ 0.98; 3.6A (I _b), cosΦ 0.98"	"TIO2/ESP 1 x relay (SPST) output, 2.2A (I _a), cosΦ 0.98; 3.6A (I _b), cosΦ 0.98"			
	2-pipe FCU with floor heating,relay valve	"1 x relay (SPST) output, 2.2A (I _a), cosΦ 0.98; 3.6A (I _b), cosΦ 0.98"	"Floor heating 1 x relay (SPST) output, 2.2A (I _a), cosΦ 0.98; 3.6A (I _b), cosΦ 0.98"			
	Water source heat pump	"1 x relay (SPST) output, 2.2A (I _a), cosΦ 0.98; 3.6A (I _b), cosΦ 0.98"	"Reversing valve 1 x relay (SPST) output, 2.2A (I _a), cosΦ 0.98; 3.6A (I _b), cosΦ 0.98"			
T7200-TB21-9JS0	2-pipe FCU,relay valve	"1 x relay (SPST) output, 2.2A (I _a), cosΦ 0.98; 3.6A (I _b), cosΦ 0.98"	N/A	ECM fan 1 x 0-10VDC output 1 x relay (SPST) output, 2.2A (I _a), cosΦ 0.98; 3.6A (I _b), cosΦ 0.98	Individual	
	4-pipe FCU,relay valve	"2 x relay (SPST) output, 2.2A (I _a), cosΦ 0.98; 3.6A (I _b), cosΦ 0.98"	N/A			
	2-pipe FCU,3-wire relay valve	"2 x relay (SPST) output, 2.2A (I _a), cosΦ 0.98; 3.6A (I _b), cosΦ 0.98"	N/A			
	2-pipe FCU with TIO2/ESP,relay valve	"1 x relay (SPST) output, 2.2A (I _a), cosΦ 0.98; 3.6A (I _b), cosΦ 0.98"	"TIO2/ESP 1 x relay (SPST) output, 2.2A (I _a), cosΦ 0.98; 3.6A (I _b), cosΦ 0.98"			
	2-pipe FCU with floor heating,relay valve	"1 x relay (SPST) output, 2.2A (I _a), cosΦ 0.98; 3.6A (I _b), cosΦ 0.98"	"Floor heating 1 x relay (SPST) output, 2.2A (I _a), cosΦ 0.98; 3.6A (I _b), cosΦ 0.98"			
	Water source heat pump	"1 x relay (SPST) output, 2.2A (I _a), cosΦ 0.98; 3.6A (I _b), cosΦ 0.98"	"Reversing valve 1 x relay (SPST) output, 2.2A (I _a), cosΦ 0.98; 3.6A (I _b), cosΦ 0.98"			
	Single fan speed AHU	1 x 0-10VDC output, match 100k ohms actuator impedance	"Damper 1 x relay (SPST) output, 2.2A (I _a), cosΦ 0.98; 3.6A (I _b), cosΦ 0.98"			"1 x relay (SPST) output, 2.2A (I _a), cosΦ 0.98; 3.6A (I _b), cosΦ 0.98"
	2-pipe FCU,proportional valve	1 x 0-10VDC output, match 100k ohms actuator impedance	N/A			"3 x relay (SPST) output, 2.2A (I _a), cosΦ 0.98; 3.6A (I _b), cosΦ 0.98"

Note

1. User can configure one model to different applications by parameter setting
2. I_R is steady-state current of FCU motor, and I_X is transient current of FCU motor
3. T7200-TB20-9J00 and T7200-TB20-9J0B don't have remote sensor input and binary input;
T7200-TF20-9JS0 and T7200-TB21-9JS0 only have binary input

Product dimensions



Technical specifications

Supply Voltage	100-240 VAC 50/60 Hz
Power consumption	Max. 5VA
Terminations	Screw terminal block
Wire size	Screw terminal block: 1.0-1.5mm ² rigid conductor for 5mm connector; 0.14-1.5 mm ² rigid conductor for 3.5mm connector
Mounting	Flush-mounted
Temperature measurement range	0 to 49 (32 to 99°F)
Temperature accuracy	1 (2°F)
Default temperature set point range	5.0 to 35.0 in 0.5° increments
Ambient conditions	Operating: 0 to 40 (32 to 104°F), 10 to 90% RH, noncondensing, 29 (85°F) maximum dew point
	Storage: -20 to 60 (-4 to 140°F), 5 to 95% RH, noncondensing
Protection class	IP20
Pollution degree	2
Heat and fire resistance category	D
Temperature for ball pressure test	125
Limitation of operating time	Continuous
Product category	Type 1.B P42(74)
Shipping weight	Approx 300g
Compliance	CE mark
	RCM mark, Australia/NZ emissions compliance
	RoHS, REACH, WEEE

Office Locations

Australia (Sydney)

Tel: +61 (2) 9805 8300
Fax: +61 (2) 9247 7750

China (Shanghai)

Tel: +86 (21) 2285 7000
Fax: +86 (21) 2285 7599

China (Hong Kong)

Tel: +852 2885 4451
Fax: +852 2885 7760

China (Macau)

Tel: +853 2875 1820
Fax: +853 2875 1825

Indonesia (Jakarta)

Tel: +62 (21) 5366 8500
Fax: +61 (21) 5366 8300

Japan (Tokyo)

Tel: +81 (3) 5738 6100
Fax: +81 (3) 5738 6298

Korea (Seoul)

Tel: +82 (2) 1588 9117
Fax: +82 (2) 6009 9014

India (Mumbai)

Tel: +91 (22) 6683 7000
Fax: +91 (22) 6683 7002

Malaysia (Kuala Lumpur)

Tel: +60 (3) 7628 4300
Fax: +60 (3) 7874 1180

New Zealand (Auckland)

Tel: +64 (9) 635 0880
Fax: +64 (9) 633 1862

Singapore

Tel: +65 6748 0202
Fax: +65 6743 4420

Thailand (Bangkok)

Tel: +66 (2) 794 0101
Fax: +66 (2) 717 1327-8

Asia Engineering Centre: Wuxi, China

Shanghai Distribution Center: Shanghai, China

Asia Centre of Excellence in Engineering (CoEE): Beijing, China · Mumbai & Pune, India

Manufacturing/Assembly: Guangzhou & Wuxi, China · Pune, India