

## VALVES

### PLANT VALVES

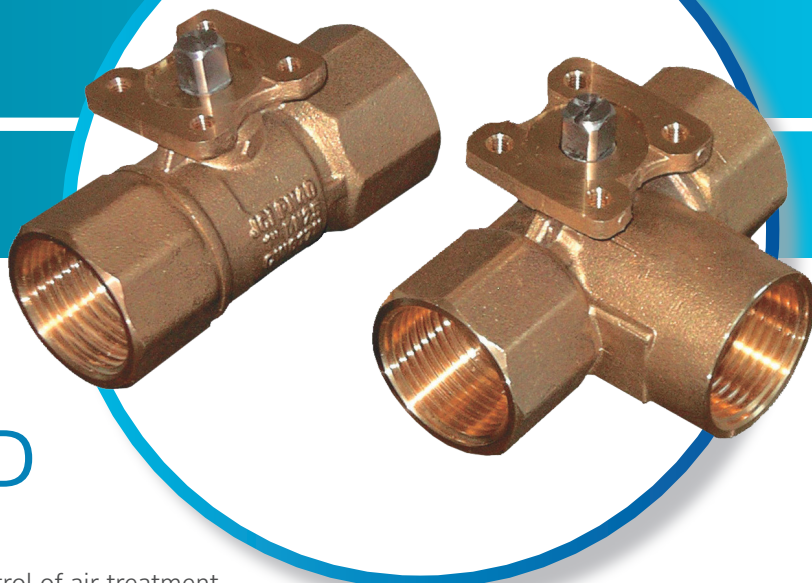
## VG1000 THREADED

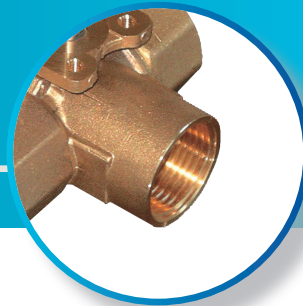
DN15...50, PN40

The VG1000 series ball valves are used for the water control of air treatment systems in Heating, Ventilating and Air Conditioning (HVAC) systems. They are operated by direct or remote mounted spring return and non spring return actuators.

### FEATURES

- Forged brass body
- $K_{VS}$  1...63
- 2-way, 3-way mixing and diverting configurations
- Inherent equal percentage flow characteristic in the in-line port of all valves
- BSPP female threaded body connections
- Service
  - Hot and cold water: -30...95°C with VA9104 series  
(140°C with M9000-561 Thermal Barrier)
  - 30...100°C with VA9203, VA9208, VA9308 and VA9310 series  
(140°C with M9000-561 Thermal Barrier)
- Water with glycol to max 50% volume
- Steam to max 100 kPa at 120°C with thermal barrier

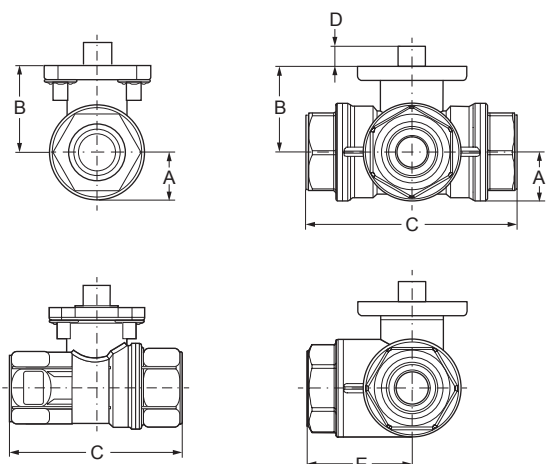




## VALVES

### VG1000 THREADED - PLANT VALVES

#### DIMENSIONS (in mm)



Two-way Valve

Three-way Valve

BODY SIZE	A	B	C	D	E
DN15	17	31	67	9	33
DN20			75		38
DN25	19	33	92		46
DN32	26	44	109		54
DN40	29	48	119		59
DN50	37	53	139		74

#### ORDERING INFORMATION

CODES	BODY SIZE	$K_{VS}$ (CONTROL PORT)	$K_{VS}$ (BY-PASS PORT)
VG1x05AD	DN15	1.0	0.63
VG1x05AE		1.6	1.0
VG1x05AF		2.5	1.6
VG1x05AG		4.0	2.5
VG1x05AL		6.3	4.0
VG1x05AN		10	5.0
VG1x05BL	DN20	6.3	4.0
VG1x05BN		10	5.0
VG1x05CN	DN25	10	6.3
VG1x05CP		16	8.0
VG1x05DP	DN32	16	10.0
VG1x05DR		25	12.5
VG1x05ER	DN40	25	16
VG1x05ES		40	20
VG1x05FS	DN50	40	25.0
VG1x05FT		63	31.5

